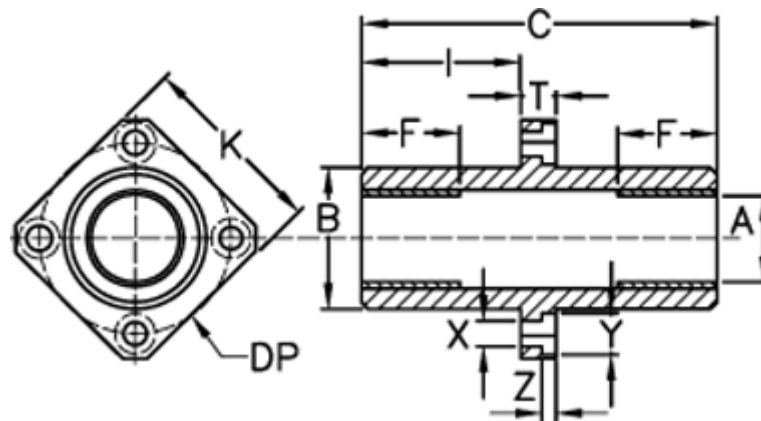


Article number: 50540301

Description: Flange bearing CFPMC 30
with square flange

Measures



| | | | | |
|---------------|----------------------|--------------------|---------|---------|
| A max | = 30.129000000000001 | K | = 60 | Y = 11 |
| A min | = 30.096 | Length each end F | = 35 | Z = 6.1 |
| B max | = 47 | Length to flange I | = 56.5 | |
| B min | = 46.975000000000001 | Mounting bolt | = M 6 | |
| C max | = 123.3 | Square | = 0.017 | |
| C min | = 122.7 | T | = 14 | |
| Concentric mm | = 0.017 | Weight (kg) | = 0.413 | |
| Dp | = 62 | X | = 6.6 | |